



## VAPORTITE 4-LIGHT STEM HUNG PENDANT LIGHT

MSP052

### FEATURES + BENEFITS



- Weathertight Glass and Cast Aluminum Guard protect light source.
- Metal RLM shades are spun from heavy duty aluminum.
- Polyester powder coat finish provides color retention and scratch resistance.
- White powder coat shade interior for maximum light output.
- Painted Galvanized finish has Painted Galvanized shade interior.
- Dimmable with a dimmable bulb and compatible dimmer (not included).
- Standard 12" Stem included.
- UL Listed for Wet Location.
- Warranty: Limited 1 Year.
- Made in USA.

### SPECIFICATIONS

#### Product Dimensions:

Shade Width 8 1/4", Shade Height 9 7/8", Width 31 1/4", Length 31 1/4", Canopy Dia. 4 1/8", Overall Height=Choice of Vertical Stem Length + 11 3/8"

#### Lamping:

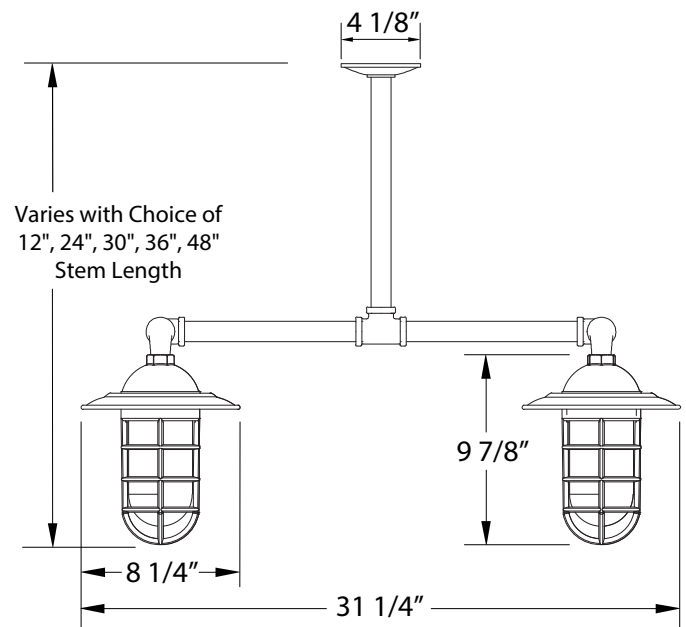
100W Medium Base per socket

#### Options:

- Finish: 40-Slate Gray, 41-Black, 42-Forest Green, 44-White Gloss, 48-Sea Green, 49-Painted Galvanized, 50-Navy, 51-Architectural Bronze, 54-Light Blue, 55-Barn Red
- Stem Length: T24-3/4" IPS x 24", T30-3/4" IPS x 30", T36-3/4" IPS x 36", T48-3/4" IPS x 48"
- Other Accessories: B01-Decorative Canopy Cover, B02-Sloped Ceiling Mount

#### Shipping:

At Montclair Light Works we proudly manufacture, assemble, and ship your lamp within 3 weeks from our factory in Montclair CA.



JOB/LOCATION

QUANTITY

DATE

NOTES